

I-PRO SLUSH DISPENSER, 2 INSULATED 2.9 G. BOWLS, ELECTRONIC



**Ref560543
(I-PRO2E)**

I-PRO 2E UV, (2) 2.9 gallon insulated bowls, Electronic control and timer, UV lights, black finish - Refrigerant R449A

General Features

I-PRO 2 ELECTRONIC is a versatile slush machine with (2) 2.9 gallon (11L) I-Tank insulated bowls, and electronic control. I-PRO Electronic is a real technologic wonder with performances and design. Refrigerant R449A. This equipment has the I-Tank insulated tank as standard. The look is modern and eye-catching, thanks to the LED-light system that illuminates the product inside the tank. The shape of the bowls allows a natural mixing process to ensure an optimum consistency of the product. I-PRO ELECTRONIC helps to save energy and to reduce CO2 emissions; a stand-by mode is automatically activated when the product reaches the right consistency. The machine can be programmed daily or weekly. The machine can be programmed daily or weekly. Bowls work independently, to dispense different products with the one piece of equipment such as: slushies, milkshakes, frozen drinks and frozen cocktails/mocktails. I-PRO is an ideal slush machine for bars, amusement parks, multiplex, fast food chains, kiosks, restaurants, water parks and much more.

I-PRO SLUSH DISPENSER, 2 INSULATED 2.9 G. BOWLS, ELECTRONIC

Specifications

- I-PRO is an ideal slush machine for bars, amusement parks, motorway restaurants, fast food chains, kiosks, restaurants, water parks and much more.
- I-PRO ELECTRONIC is equipped with an integrated diagnostic system which signals any problems directly on the display.
- The I-PRO ELECTRONIC is a professional slush machine automatically switches from "production" mode to "stand-by" mode when it reaches the selected product consistency, guaranteeing energy savings and a reduction in CO2 emissions.
- Optionals available: autofill lid (pre-mix or post-mix) for the automatic filling of the tanks, and the LED-backlighted front panel.
- Versatile slush machine with two (2) 2.9 gallon/11L I-Tank insulated bowls

Construction

- The patented I-Tank insulated bowl reduces the impact of ambient temperature on the product, improving its cooling efficiency and guaranteeing energy and cost savings.
- The electronic keypad allows you to program the slush machine daily or weekly.
- Optional Autofill Lid System available: for the automatic filling of the tanks
- Bowls work independently, allowing operations to dispense different product at the same time, including: slushies, milkshakes, cold drinks and/or frozen cocktails

I-PRO SLUSH DISPENSER, 2 INSULATED 2.9 G. BOWLS, ELECTRONIC

Electric

Supply voltage:	115 V / 1 ph / 60 Hz
Electrical power max.:	0.9 kW
Current consumption:	ISO 9001; ISO 14001 Amps
Plug type:	USA NEMA 5-15P

Key Information:

Number of bowls:	2
Bowl's capacity:	2.9 gal
Control board:	Electronic
Dimensions, Width:	15 3/4"
Dimensions, Depth:	22 13/16"
Dimensions, Height:	34 1/4"
Net weight:	132 lb
Cooling system:	AIR

Refrigeration Data

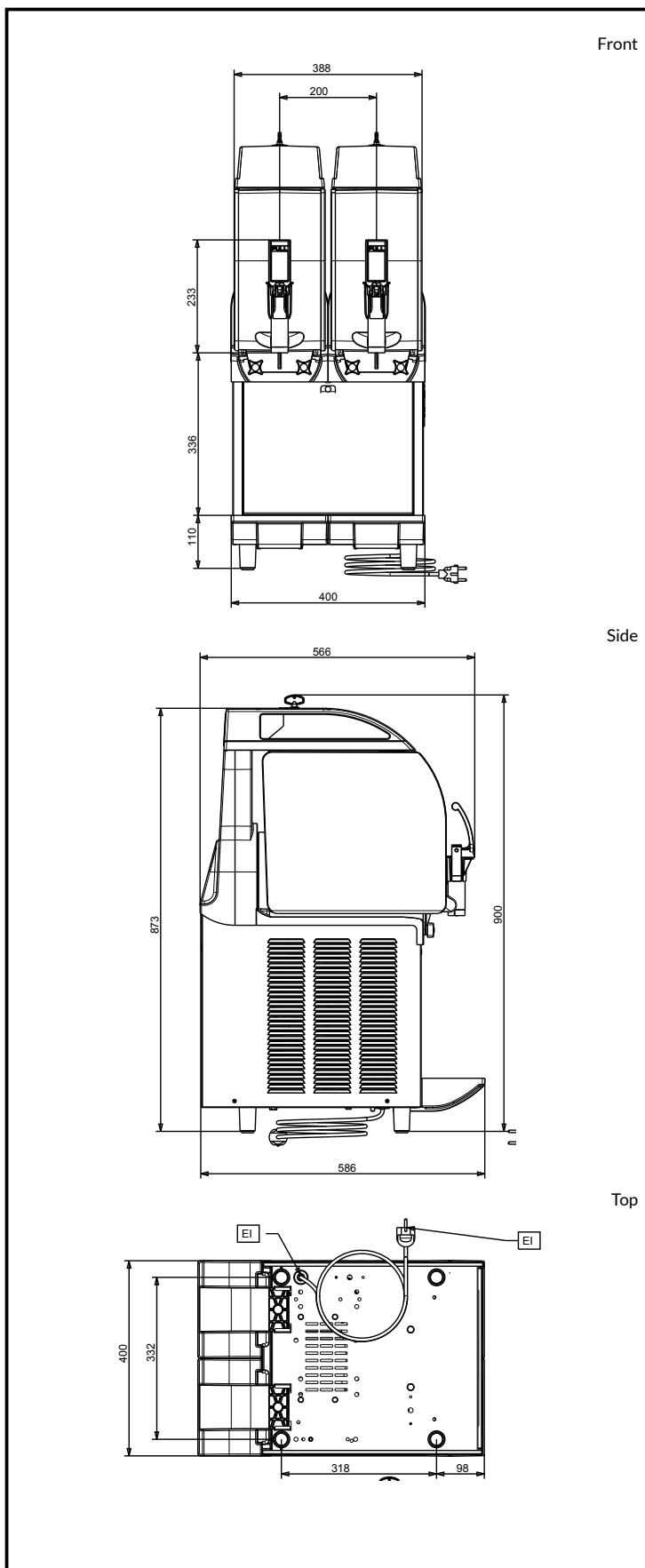
Refrigerant gas:	R449a
------------------	-------

Certifications



The company reserves the right to make modifications to the products without prior notice. All information correct at time of printing.

2025.02.03



CRATHCO

www.crathco.drink-systems.com
infocrathco@electroluxprofessional.com